

## Electronic fan speed controller ~1, 230V, 50 Hz

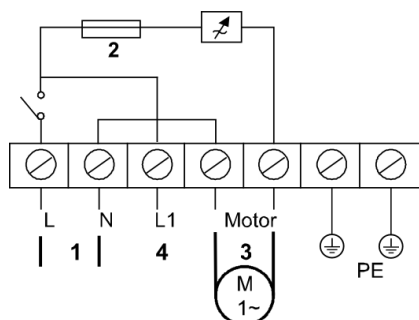
- Mains supply ~1 230 V, 50 Hz
- Integrated luminous ON/OFF switch
- Automatic reconnection after mains failure
- Additional voltage output 230 V, max. 1,5 A, 3 A, 5 A or 10 A according to the type
- Regulation min to max
- Internally adjustable minimum and maximum speed
- Max. ambient temperature +35° C
- EMC filter according to EN55014 standard
- European norms: EMC89/336/CEE modified by 92/31/CEE and low voltage norm 72/23/CEE
- RoHS compliant



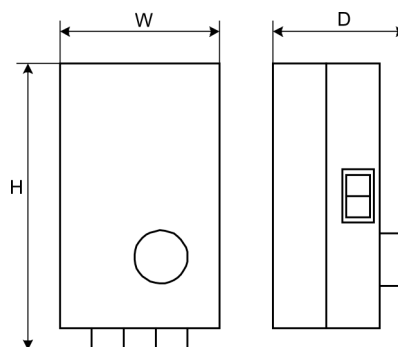
Industrial single-phase speed controller with high benefits. TLR speed controller works from 1,5A to 10A and is controlled by microprocessor. Each controller incorporates luminous ON/OFF switch, internal speed adjust, fuse protection and sealed box.

Art.-no.	Type name	Max. current, A	Dimensions (H×W×D/mm)	Protection class	Weight, kg
PA-0005	Electronic speed controller TLR 501	1,5	164×96×85	IP54	0.514
PA-0006	Electronic speed controller TLR 503	3	164×96×85	IP54	0.514
PA-0007	Electronic speed controller TLR 505	5	164×96×85	IP54	0.517
PA-0008	Electronic speed controller TLR 510	10	205×127×95	IP54	0.792

**Connection diagram**



**Dimensions**



The company reserves the right to make changes to technical data without prior notice