

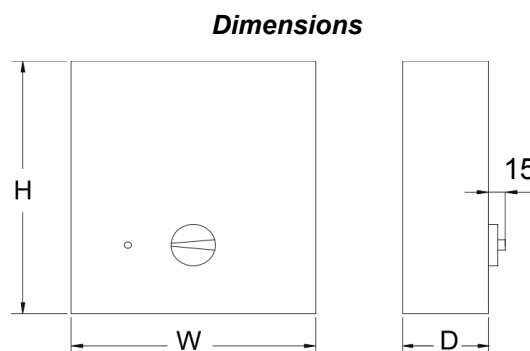
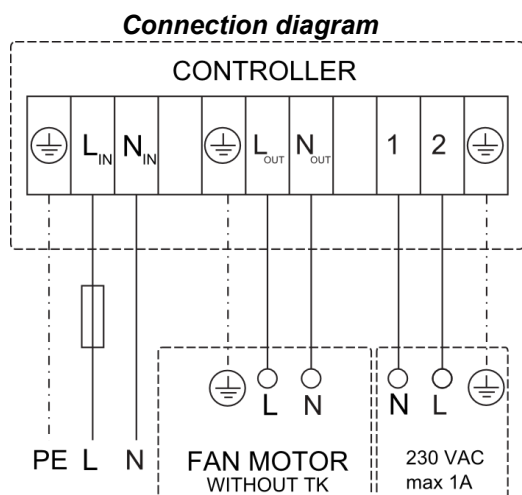
## Transformer 5-step fan speed control unit ~1 230 V, 50Hz

- Mains supply ~1 230 V, 50 Hz
- Output for RVN 1,2 - RVN 3: 115 V / 135 V / 155 V / 180 V / 230 V
- Output for RVN 4 - RVN 11: 80 V / 120 V / 140 V / 170 V / 230 V
- Integrated status signal lamp
- Additional voltage output 230 V, max. 1 A
- Autotransformer's overheating protection
- Automatic reconnection after mains failure
- Max. ambient temperature +40° C



A single-phase transformer which controls the fan speed by changing voltage. The control knob on the front of the unit with 5 fixed voltage steps is used to adjust fan speed. There is transformer thermo protection function. Controller also has power switch with indication led. It has 230 VAC output for connecting servo motors, actuators, heaters relays and etc. More than one motor can be connected to one controller, if total current of all controllers is less than maximum controller current. In this case all motors' thermo protections must be connected in series.

Art.-no.	Type name	Max. current, A	Dimensions (H×W×D/mm)	Protection class	Weight, kg
PV-0101	Tr.5 step controller RVN 1,2	1,2	120×100×70	IP54	1,5
PV-0102	Tr.5 step controller RVN 1,5	1,5	120×100×70	IP54	1,7
PV-0103	Tr.5 step controller RVN 2,2	2,2	150×110×70	IP54	2,2
PV-0104	Tr.5 step controller RVN 3	3,0	175×125×75	IP54	3,0
PV-0105	Tr.5 step controller RVN 4	4,0	175×125×100	IP54	3,5
PV-0106	Tr.5 step controller RVN 5	5,0	175×125×100	IP54	4,0
PV-0107	Tr.5 step controller RVN 7	7,0	190×240×125	IP54	6,3
PV-0108	Tr.5 step controller RVN 11	11,0	190×249×125	IP54	8,0



The company reserves the right to make changes to technical data without prior notice