

Electronic fan speed controller, ~1, 230V, 50 Hz

- Mains supply ~1 230 V, 50 Hz
- Integrated ON/OFF switch
- Automatic reconnection after mains failure
- Additional voltage output 230 V, max. 0,5 A
- Max. ambient temperature +35° C
- European norms: EMC89/336/CEE modified by 92/31/CEE and low voltage norm 72/23/CEE
- RoHS compliant

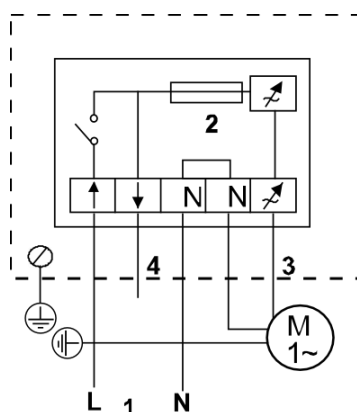


A single-phase speed regulator with high benefits adaptable for small engines and all kinds of domestic or industrial facilities. It incorporates the minimum speed adjust, fuse protection and spare part included in the product (in fuse support). The models MTY 0,5 - MTY 2,5 are suitable for flush and for surface mounting. Model MTY 4,0 can only be used for surface mounting.

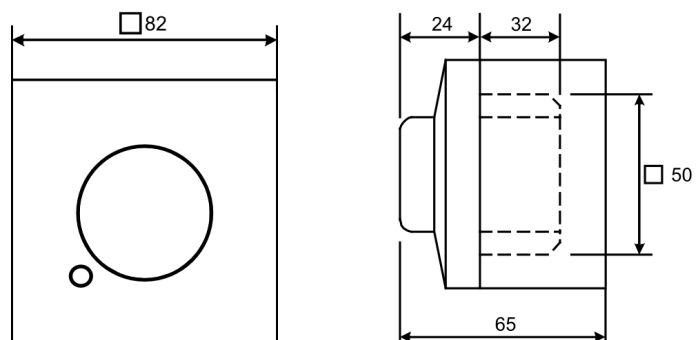
Art.-no.	Type name	Max. current, A	Dimensions (H×W×D/mm)	Protection class	Weight, kg
PA-0001	Electronic speed controller MTY 0,5	0,5	82×82×65	IP54*	0,22
PA-0002	Electronic speed controller MTY 1,5	1,5	82×82×65	IP54*	0,25
PA-0003	Electronic speed controller MTY 2,5	2,5	82×82×65	IP54*	0,25
PA-0004	Electronic speed controller MTY 4,0	4,0	82×82×65	IP54	0,30

*IP54 for surface mounting, IP44 in case of flush mounting

Connection diagram



Dimensions



The company reserves the right to make changes to technical data without prior notice