

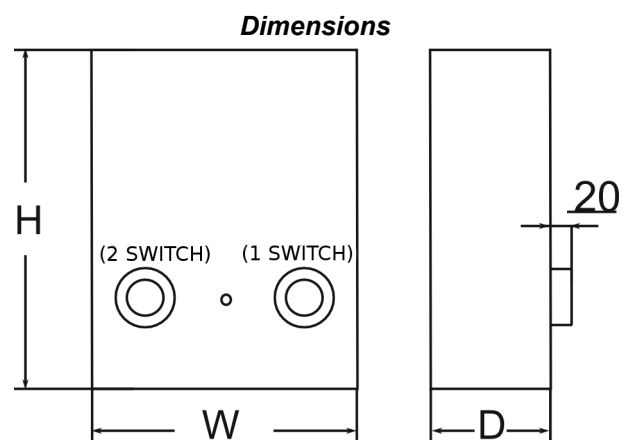
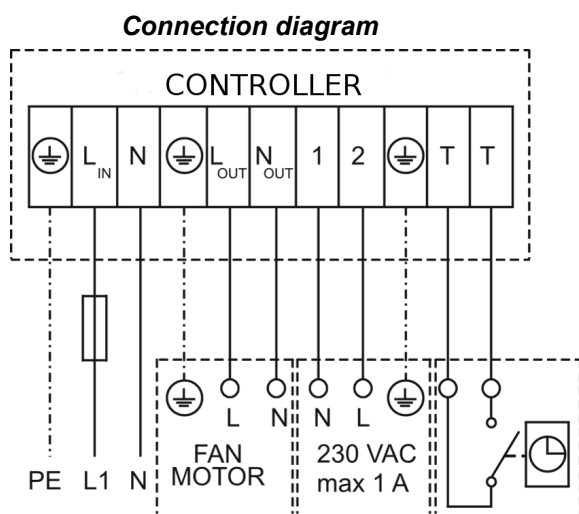
## Transformer 5-step fan speed control unit ~1 230 V, 50Hz with 2 separate 5 step switches

- Mains supply ~1 230 V, 50 Hz
- Output for RVN 1,5 - RVN 3: 115 V / 135 V / 155 V / 180 V / 230 V
- Output for RVN 4 - RVN 7: 80 V / 120 V / 140 V / 170 V / 230 V
- Integrated status signal lamp
- Additional voltage output 230 V, max. 1 A
- Autotransformer's overheating protection
- Automatic reconnection after mains failure
- Max. ambient temperature +40° C



A single-phase transformer which controls the fan speed by changing voltage. The control knobs on the front of the unit with 5 fixed voltage steps is used to adjust fan speed. There is transformer thermo protection function. Controller also has power switch with indication led. Two different motor rotation speeds can be selected by 2 step switches built into a controller. Motor rotating speed switching can be carried via external contact, i.e. through timer switch, room thermostat, manual change over switch, etc. More than one motor can be connected to one controller, if total current of all controllers is less than maximum controller current.

Art.-no.	Type name	Max. current, A	Dimensions (H×W×D/mm)	Protection class	Weight, kg
PV-6101	Tr.5 step controller RVN 1,5-2	1,5	175×125×75	IP54	1,8
PV-6102	Tr.5 step controller RVN 2,2-2	2,2	175×125×75	IP54	2,4
PV-6103	Tr.5 step controller RVN 3-2	3	175×125×75	IP54	3,3
PV-6104	Tr.5 step controller RVN 4-2	4	175×125×100	IP54	4,1
PV-6105	Tr.5 step controller RVN 5-2	5	175×125×100	IP54	4,4
PV-6106	Tr.5 step controller RVN 7-2	7	240×190x125	IP54	7,0



The company reserves the right to make changes to technical data without prior notice