

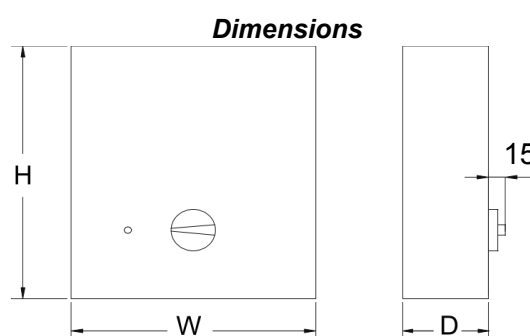
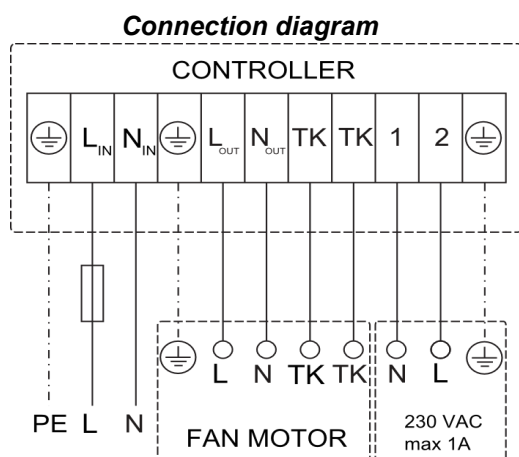
Transformer 5-step fan speed control unit ~1 230 V, 50Hz

- Mains supply ~1 230 V, 50 Hz
- Output for RV 1,2 - RV 3: 115 V / 135 V / 155 V / 180 V / 230 V
- Output for RV 4 - RV 11: 80 V / 120 V / 140 V / 170 V / 230 V
- Integrated status signal lamp
- Additional voltage output 230 V, max. 1 A
- Autotransformer's overheating protection
- Motor protection function through connection of thermostats
- Max. ambient temperature +40° C



A single-phase transformer which controls the fan speed by changing voltage. The control knob on the front of the unit with 5 fixed voltage steps is used to adjust fan speed. There is motor and transformer thermo protection function. Controller also has power switch with indication led. It has 230 VAC output for connecting servo motors, actuators, heaters relays and etc. More than one motor can be connected to one controller, if total current of all controllers is less than maximum controller current. In this case all motors' thermo protections must be connected in series.

Art.-no.	Type name	Max. current, A	Dimensions (H×W×D/mm)	Protection class	Weight, kg
PV-1101	Tr.5 step controller RV 1,2	1,2	175×125×75	IP54	1,7
PV-1102	Tr.5 step controller RV 1,5	1,5	175×125×75	IP54	1,8
PV-1103	Tr.5 step controller RV 2,2	2,2	175×125×75	IP54	2,35
PV-1104	Tr.5 step controller RV 3	3,0	175×125×75	IP54	3,1
PV-1105	Tr.5 step controller RV 4	4,0	175×125×100	IP54	3,7
PV-1106	Tr.5 step controller RV 5	5,0	175×125×100	IP54	4,15
PV-1107	Tr.5 step controller RV 7	7,0	190×240×125	IP54	6,45
PV-1108	Tr.5 step controller RV 11	11,0	190×240×125	IP54	8,15
PV-1007	Tr.5 step controller RV 14	14,0	190×240×125	IP44	10,2



The company reserves the right to make changes to technical data without prior notice