

Motor protection switch, ~3, 400V, 50 Hz

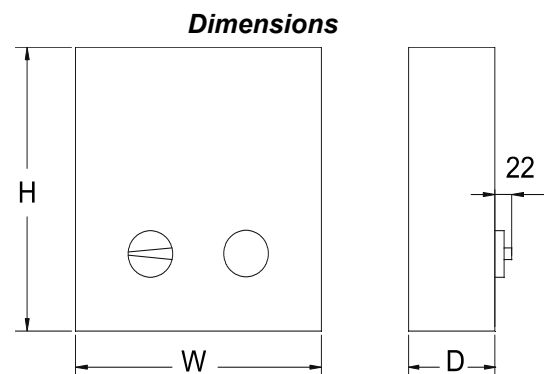
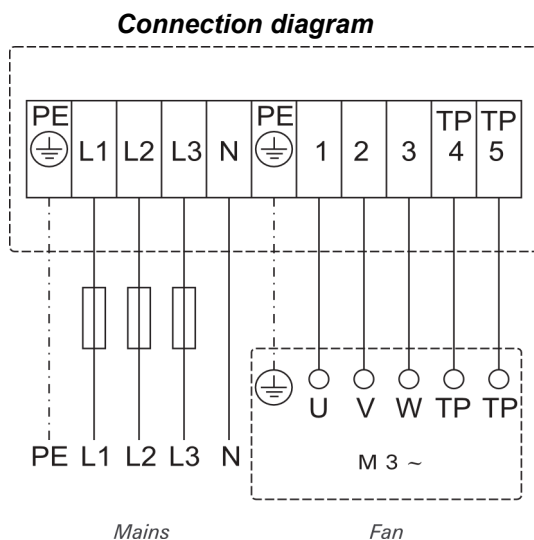
- Mains supply ~3 400 V, 50 Hz
- Integrated ON/OFF switch with indicator
- High quality components
- Max. ambient temperature +35° C
- For fans with PTC motor protection
- Suitable for ATEX fans



Motor protection switch with on-off button, mains contactor and indicator lamp. If motor winding's maximum temperature gets exceeded, the PTC mounted in winding opens the circuit. The mains contactor disconnects the motor from mains supply. After the removal of the source of failure the fan can only be restarted manually using the on/off switch of the controller.

This switch can not be operated in hazardous area.

Art.-no.	Type name	Max. current, A	Max.power, kW	Dimensions (H×W×D/mm)	Protection class	Weight, kg
PV-7001	Motor protection switch RJT 4	9	4	178×155×99	IP44	1,1



The company reserves the right to make changes to technical data without prior notice